

## OPERATION AND INSTALLATION

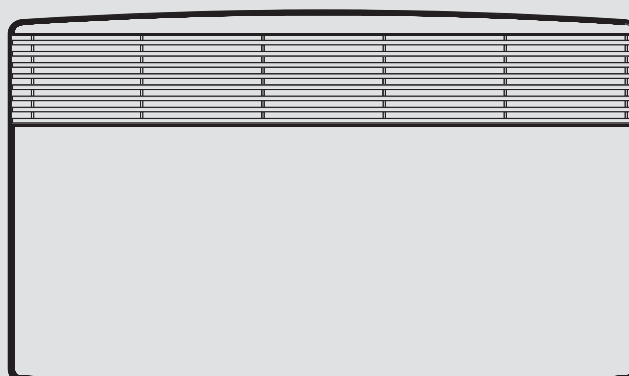
---

Wall mounted convector

- » CNS 50 U
- » CNS 75 U
- » CNS 100 U
- » CNS 150 U
- » CNS 200 U
- » CNS 250 U
- » CNS 300 U

- » CNS 50 UT
- » CNS 75 UT
- » CNS 100 UT
- » CNS 125 UT
- » CNS 150 UT
- » CNS 200 UT
- » CNS 250 UT
- » CNS 300 UT

- » CNS 75 UE
- » CNS 100 UE
- » CNS 150 UE
- » CNS 200 UE
- » CNS 300 UE



**STIEBEL ELTRON**

**SPECIAL INFORMATION**

**OPERATION**

<b>1. General information</b>	<b>3</b>
1.1 Safety instructions	3
1.2 Other symbols in this documentation	3
1.3 Information on the appliance	3
1.4 Units of measurement	3
<b>2. Safety</b>	<b>3</b>
2.1 Intended use	3
2.2 General safety instructions	4
2.3 Test symbols	4
<b>3. Appliance description</b>	<b>4</b>
<b>4. Operation</b>	<b>4</b>
4.1 CNS U	4
4.2 CNS UT	5
4.3 CNS UE	5
4.4 Limiting the temperature selector (CNS U   CNS UE)	6
<b>5. Cleaning, care and maintenance</b>	<b>6</b>
<b>6. What to do if...</b>	<b>6</b>

**INSTALLATION**

<b>7. Safety</b>	<b>7</b>
7.1 General safety instructions	7
7.2 Instructions, standards and regulations	7
<b>8. Appliance description</b>	<b>7</b>
8.1 Standard delivery	7
<b>9. Installation</b>	<b>7</b>
9.1 Minimum clearances	7
9.2 Installing the wall mounting bracket	7
9.3 Appliance installation	8
9.4 Removing the appliance	8
9.5 Power supply	8
<b>10. Troubleshooting</b>	<b>8</b>
<b>11. Appliance handover</b>	<b>8</b>
<b>12. Specification</b>	<b>9</b>
12.1 Dimensions and connections	9
12.2 Data table	9

**GUARANTEE**

**ENVIRONMENT AND RECYCLING**

**SPECIAL INFORMATION**

- Keep children under the age of 3 away from the appliance if constant supervision cannot be guaranteed.
- Children from the age of 3 to 7 may switch the appliance on and off, provided they are supervised or have been instructed in the safe operation of the appliance and understand any risks that may result. This is subject to the appliance having been installed as described. Children from the age of 3 to 7 must not plug the power cable into its socket nor regulate the appliance.
- The appliance may be used by children aged 8 and older and persons with reduced physical, sensory or mental capabilities or a lack of experience and know-how, provided that they are supervised or they have been instructed on how to use the appliance safely and have understood the resulting risks.
- Children must never play with the appliance. Children must never clean the appliance or perform user maintenance unless they are supervised.
- Parts of the appliance can get very hot and may cause burns. Particular caution is advised when children or vulnerable persons are present.
- Never cover the appliance.
- Never install the appliance directly below a wall socket.
- Install the appliance in such a way that the control equipment cannot be touched by a person in the bath or shower.
- The connection to the power supply must be in the form of a permanent connection. Ensure the appliance can be separated from the power supply by an isolator that disconnects all poles with at least 3 mm contact separation.
- The power cable may only be replaced (for example if damaged) by a qualified contractor authorised by the manufacturer, using an original spare part.
- Secure the appliance as described in chapter "Installation / Installation".

# OPERATION

## 1. General information

The chapters "Special Information" and "Operation" are intended for both the user and qualified contractors.

The chapter "Installation" is intended for qualified contractors.



**Note**  
Read these instructions carefully before using the appliance and retain them for future reference.  
Pass on the instructions to any new user if required.

### 1.1 Safety instructions

#### 1.1.1 Structure of safety instructions



**KEYWORD** Type of risk  
Here, possible consequences are listed that may result from failure to observe the safety instructions.  
► Steps to prevent the risk are listed.

#### 1.1.2 Symbols, type of risk

Symbol	Type of risk
	Injury
	Electrocution
	Burns (burns, scalding)

#### 1.1.3 Keywords

KEYWORD	Meaning
DANGER	Failure to observe this information will result in serious injury or death.
WARNING	Failure to observe this information may result in serious injury or death.
CAUTION	Failure to observe this information may result in non-serious or minor injury.

### 1.2 Other symbols in this documentation



**Note**  
General information is identified by the adjacent symbol.  
► Read these texts carefully.

Symbol	Meaning
	Material losses (Appliance and consequential losses, environmental pollution)
	Appliance disposal

► This symbol indicates that you have to do something. The action you need to take is described step by step.

### 1.3 Information on the appliance

Symbol	Meaning
	Never cover the appliance

### 1.4 Units of measurement



**Note**  
All measurements are given in mm unless stated otherwise.

## 2. Safety

### 2.1 Intended use

This appliance is designed to heat living areas.

This appliance is intended for domestic use. It can be used safely by untrained persons. The appliance can also be used in a non-domestic environment, e.g. in a small business, as long as it is used in the same way.

Any other use beyond that described shall be deemed inappropriate. Observation of these instructions and of instructions for any accessories used is also part of the correct use of this appliance.

## 2.2 General safety instructions

Operate the appliance only when fully installed and with all safety equipment fitted.



### WARNING Injury

- Keep children under the age of 3 away from the appliance if constant supervision cannot be guaranteed.
- Children from the age of 3 to 7 may switch the appliance on and off, provided they are supervised or have been instructed in the safe operation of the appliance and understand any risks that may result. This is subject to the appliance having been installed as described. Children from the age of 3 to 7 must not plug the power cable into its socket nor regulate the appliance.
- The appliance may be used by children aged 8 and older and persons with reduced physical, sensory or mental capabilities or a lack of experience and know-how, provided that they are supervised or they have been instructed on how to use the appliance safely and have understood the resulting risks.
- Children must never play with the appliance. Children must never clean the appliance or perform user maintenance unless they are supervised.



### WARNING Burns

Never operate this appliance...

- in rooms where the appliance is at risk of fire or explosion as a result of chemicals, dust, gases or vapours.
- in the direct proximity of pipes or receptacles that carry or contain flammable or explosive materials.
- if work such as laying cables, grinding or sealing is carried out in the installation room.
- if sprays, floor polish or similar products containing napsan are used. Ventilate the room sufficiently before heating.
- if the minimum clearances to adjacent object surfaces are not maintained, for example to furniture, net curtains, curtains, textiles or other flammable materials.
- if an appliance component is damaged, the appliance has fallen over or already had a fault.



### WARNING Burns

Never place any flammable, combustible or insulating objects or materials, such as laundry, blankets, magazines, containers with floor polish or napsan, spray cans or similar on the appliance or in direct proximity to it.



### WARNING Burns

Parts of the appliance can get very hot and may cause burns. Particular caution is advised when children or vulnerable persons are present.



### CAUTION Overheating

Never cover the appliance.



### Material losses

Never step on the appliance.

## 2.3 Test symbols

See type plate on the right on the exterior of the appliance.

## 3. Appliance description

The appliance is a wall mounted electric direct heater.

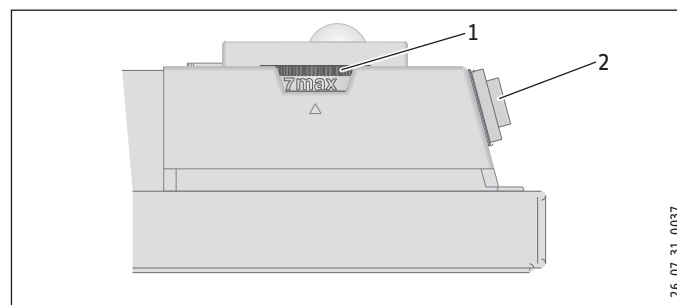
The appliance is suitable as a full heating system in bathrooms, for example, or for use between seasons and as a booster heater in smaller rooms, such as hobby and guest rooms.

The air in the appliance is heated by a heating element and expelled via natural convection through the air outlet grille at the top. Cool room air flows in through the apertures at the bottom of the appliance.

After mounting the appliance on the wall and making the electrical connection using a permanent power supply via an appliance socket, the appliance is ready for operation.

## 4. Operation

### 4.1 CNS U



1 Temperature selector

2 ON/OFF switch

#### 4.1.1 Switching the appliance on and off

- Switch the appliance on and off via the ON/OFF switch on the right hand side of the appliance.

#### 4.1.2 Temperature selector

- Set the required room temperature via the continuously variable temperature selector (for setting range see chapter "Specification / Data table").

As soon as the selected room temperature is reached, it is constantly maintained at this selected temperature through periodic heating. The output of the appliance must correspond at least to the required heat demand of the room.

If several appliances are installed in a single room, the setting at the temperature selector on each appliance can be different.



### Note

To avoid excessive power consumption when windows are open, switch the appliance off while airing.

# OPERATION

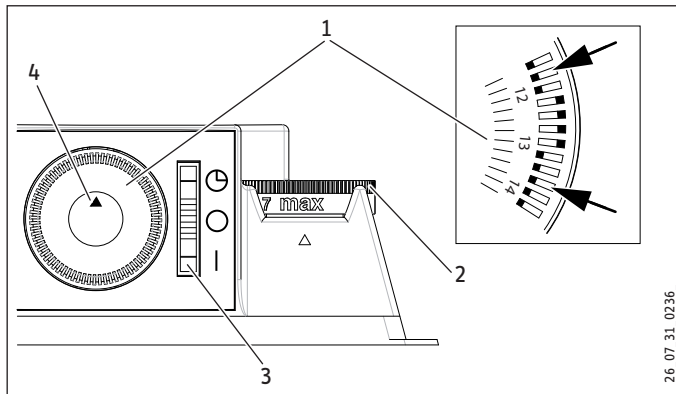
## Operation

### 4.1.3 Frost protection

- ▶ Turn the temperature selector as far to the right as possible.

In this position, the temperature controller switches on the heating element automatically if the room temperature drops below the frost protection temperature.

### 4.2 CNS UT



- 1 Time switch
- 2 Temperature selector
- 3 ON/OFF switch
- 4 Arrow marking the time

#### 4.2.1 Temperature selector

- ▶ Set the required room temperature via the continuously variable temperature selector (for setting range see chapter "Specification / Data table").

#### 4.2.2 Operating modes

##### Heating with the time switch ⌚

- ▶ The appliance heats in accordance with the time switch settings until the room temperature set with the temperature selector is reached. Frost protection is only enabled during the selected time.
- ▶ Set the time by turning the time switch clockwise until the black arrow points to the current time.
- ▶ Push the tabs on the edge of the time switch outwards according to the times when the appliance should heat. Every tab corresponds to an ON or OFF period of 20 minutes.
  - Heating ON: Push the tabs outwards.
  - Heating OFF: Push the tabs inwards.

##### Appliance off "0"

- ▶ To switch the appliance off, move the ON/OFF switch to "0".

In this operating mode, frost protection is also disabled.

### Constant operation "I"

- ▶ Move the ON/OFF switch to "I".

The appliance heats with no time limit until the room temperature set with the temperature selector is reached. As soon as the selected room temperature is reached, it is constantly maintained at this selected temperature through periodic heating. The output of the appliance must correspond at least to the required heat demand of the room.

Frost protection is always enabled.

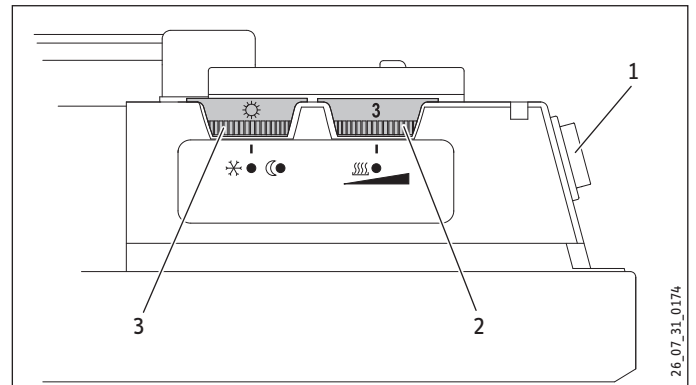
If several appliances are installed in a single room, the setting at the temperature selector on each appliance can be different.



#### Note

To avoid excessive power consumption when windows are open, switch the appliance off while airing.

### 4.3 CNS UE



- 1 ON/OFF switch
- 2 Temperature selector
- 3 Operating mode switch

#### 4.3.1 Switching the appliance on and off

- ▶ Switch the appliance on and off via the ON/OFF switch on the right hand side of the appliance.

#### 4.3.2 Temperature selector

- ▶ Set the required room temperature via the continuously variable temperature selector (for setting range see chapter "Specification / Data table").

### 4.3.3 Operating modes

#### Comfort mode

As soon as the selected room temperature is reached, it is constantly maintained at this selected temperature through periodic heating. The output of the appliance must correspond at least to the required heat demand of the room.

If several appliances are installed in a single room, the setting at the temperature selector on each appliance can be different.



#### Note

To avoid excessive power consumption when windows are open, switch the appliance off while airing.

#### ECO mode (night setback)

On this setting the comfort temperature set at the temperature selector is automatically reduced by 3 °C.

#### Frost protection

In this position, the temperature controller switches heating on automatically if the room temperature drops below the frost protection temperature.

#### Automatic

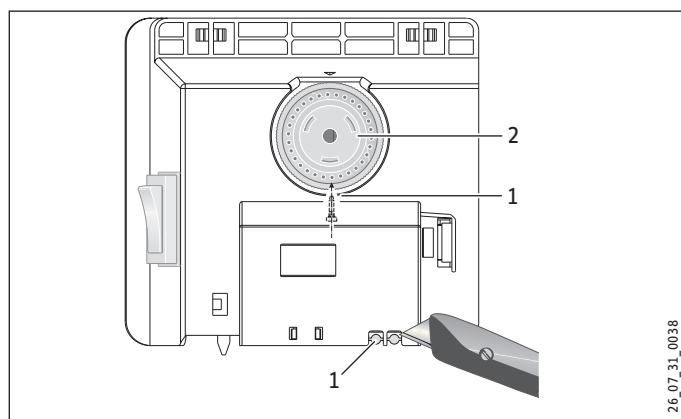
If the appliance is connected to an optional control device, you can use this to operate it. Depending on the setting of the control device, the appliance heats at certain times of the day in comfort, ECO or frost protection mode.

If the appliance is not connected to a control device, the appliance heats in comfort mode.

### 4.4 Limiting the temperature selector (CNS U | CNS UE)

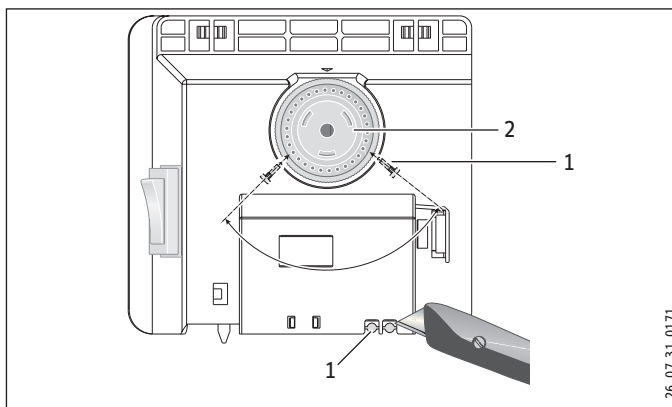
Using the two pins fitted to the back of the control casing, you can fix the temperature selector at a certain setting or limit the temperature setting range.

- Break out the pins.



- 1 Pin
- 2 Temperature selector

- To fix the selected temperature, push a pin into the hole opposite.



- 1 Pin
- 2 Temperature selector

- To limit the temperature setting range, set the minimum and maximum values at the temperature selector, and push a pin for each into the slightly offset hole opposite.

## 5. Cleaning, care and maintenance



#### CAUTION Burns

- Never spray cleaning spray into the air slot.
- Ensure that no moisture can enter the appliance.

- If a pale brownish discolouration appears on the appliance casing, wipe it off with a damp cloth.
- Clean the appliance when cold with ordinary cleaning products. Avoid abrasive or corrosive cleaning products.



#### Note

As part of regular maintenance, we recommend also having the control components checked. The safety and control components should be checked by a contractor no more than ten years after commissioning.

## 6. What to do if...

... the appliance does not heat up:

- Check the temperature set at the appliance and the MCB/fuse in your fuse box.

The appliance has a safety temperature controller that shuts the appliance down if it overheats. After the cause has been removed (for example air outlet or inlet apertures covered) and the appliance has cooled down for a few minutes, operation starts again.

If you cannot remedy the fault, notify your qualified contractor. To facilitate and speed up your enquiry, please provide the serial number from the type plate (000000-0000-000000).

# INSTALLATION

## 7. Safety

Only a qualified contractor should carry out installation, commissioning, maintenance and repair of the appliance.

### 7.1 General safety instructions

We guarantee trouble-free function and operational reliability only if original accessories and spare parts intended for the appliance are used.



**WARNING Electrocutation**  
Install the appliance in such a way that control equipment cannot be touched by a person in the bath or shower.



**CAUTION Burns**  
- Only fit the wall mounted appliance to a vertical wall that is temperature-resistant to at least 85 °C.  
- Maintain the minimum clearances to adjacent object surfaces.



**Material losses**  
- Never install the appliance directly below a wall socket.  
- Ensure that the power cable is not in contact with any appliance components.

### 7.2 Instructions, standards and regulations



**Note**  
Observe all applicable national and regional regulations and instructions.

## 8. Appliance description

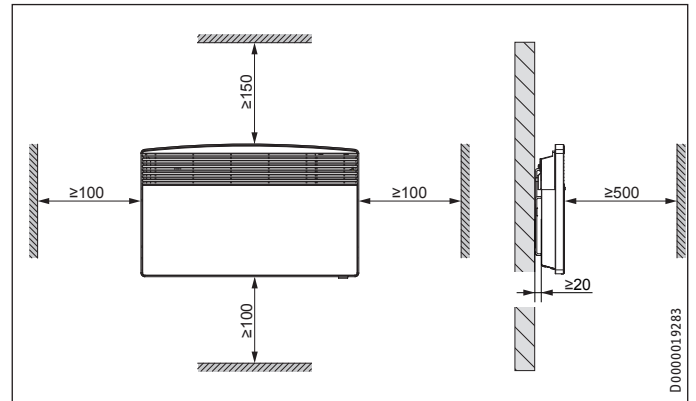
### 8.1 Standard delivery

The following are delivered with the appliance:

- Wall mounting bracket (hooked into the appliance)

## 9. Installation

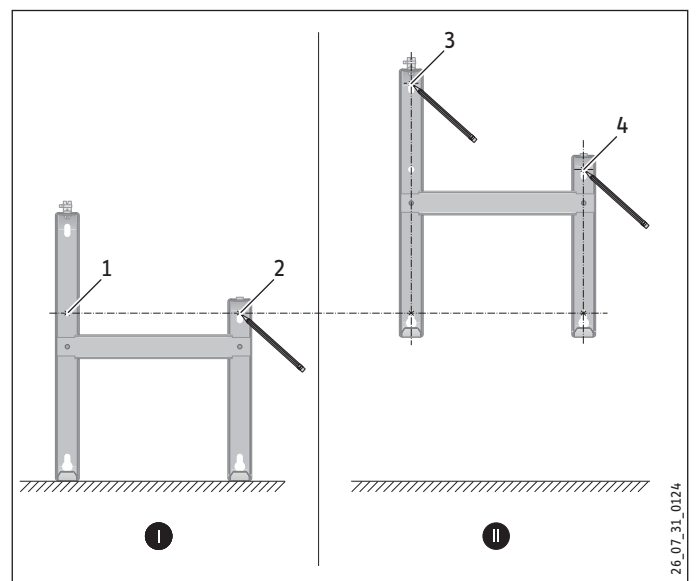
### 9.1 Minimum clearances



### 9.2 Installing the wall mounting bracket



**Note**  
You can also use the wall mounting bracket as a template for wall mounting; this ensures the required floor clearance.



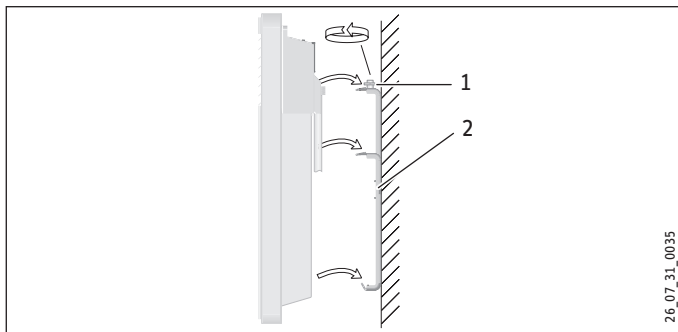
- ▶ Unhook the wall mounting bracket.
- ▶ Place the centred wall mounting bracket level on the ground and mark holes 1 and 2.
- ▶ Lift up the wall mounting bracket so that its lower holes match up with the markings you have just made on the installation wall.
- ▶ Mark holes 3 and 4 on the installation wall.
- ▶ Drill holes at all four markings.
- ▶ Secure the wall mounting bracket with suitable materials (screws, rawl plugs) depending on the type of wall. With the vertical slots, you can compensate for an offset fixing hole.

# INSTALLATION

## Troubleshooting

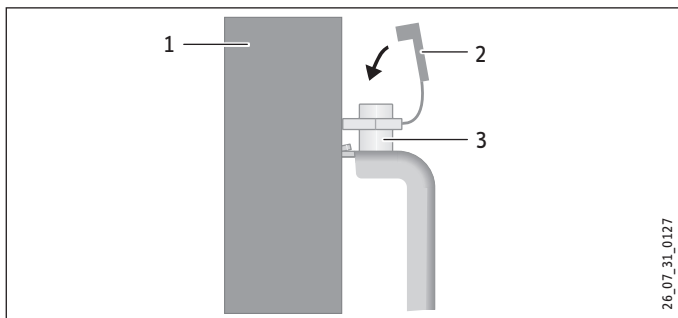
### 9.3 Appliance installation

- ▶ Hook the appliance by its slots in the back of the appliance on to all four tabs of the wall mounting bracket simultaneously.
- ▶ Push the appliance to latch it in position.



- 1 Locking bolt
- 2 Wall mounting bracket

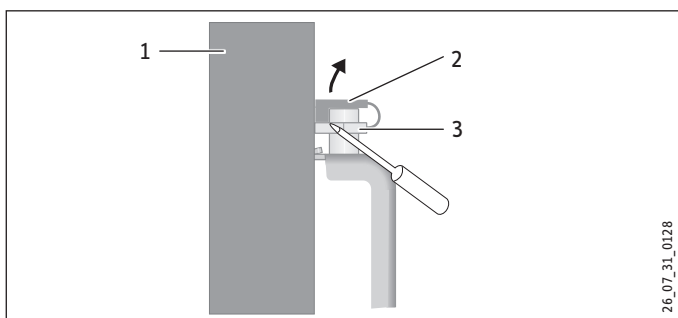
- ▶ Turn the locking bolt in the wall mounting bracket fully clockwise; this locks the appliance in place.



- 1 Appliance
- 2 Safety cap
- 3 Locking bolt

- ▶ Push the safety cap onto the locking bolt to prevent it from loosening.

### 9.4 Removing the appliance



- 1 Appliance
- 2 Safety cap
- 3 Locking bolt

- ▶ Remove the safety cap from the locking bolt.
- ▶ Undo the locking bolt on the wall mounting bracket.
- ▶ Lift the appliance up slightly and pull it forwards and away from the wall mounting bracket.

### 9.5 Power supply

- ▶ Ensure the on-site supply cable has an adequate cross-section.
- ▶ When connecting the appliance via a standard socket, ensure that the socket is easily accessible once the appliance has been installed.



#### WARNING Electrocutation

- Carry out all electrical connection and installation work in accordance with relevant regulations.
- Ensure the appliance can be separated from the power supply by an isolator that disconnects all poles with at least 3 mm contact separation.
- Do not install the appliance with a fixed power cable.
- Never install the appliance directly below a wall socket.

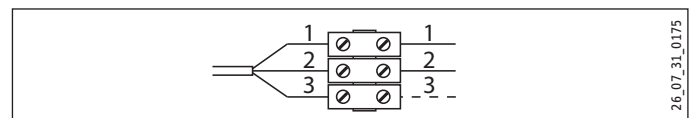


#### Note

Observe the type plate. The specified voltage must match the mains voltage.

#### 9.5.1 CNS-UE

- ▶ With a permanent connection, connect the three-core cable to a junction box as follows.



- 1 Neutral = blue
- 2 Live = brown
- 3 Control cable = black

## 10. Troubleshooting

The power cable must only be replaced by a qualified contractor using original spare parts supplied by us.

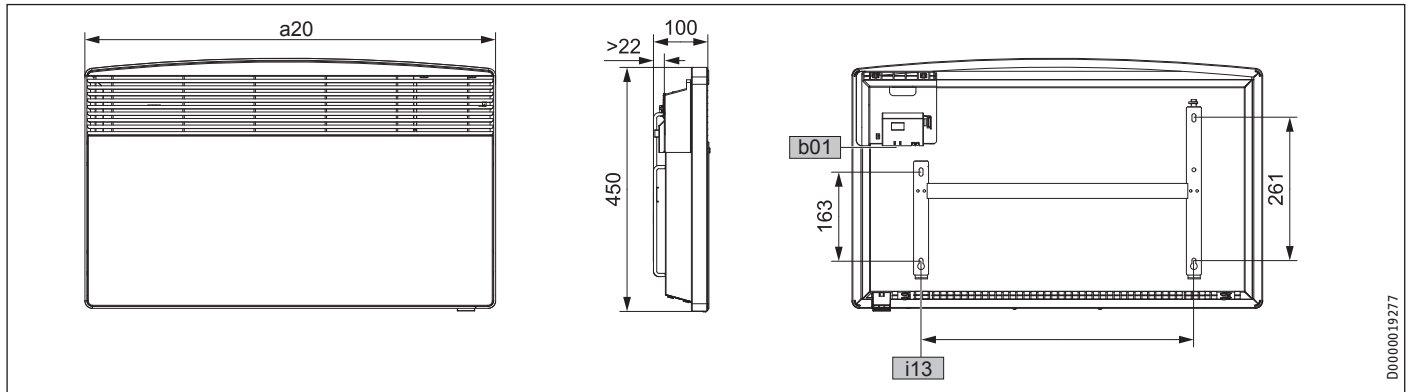
## 11. Appliance handover

Explain the functions of the appliance to the user. Draw special attention to the safety instructions. Hand over the operating and installation instructions to the user.



## 12. Specification

### 12.1 Dimensions and connections



				CNS 50 U/UT	CNS 75 U/UT/UE	CNS 100 U/UT/UE	CNS 125 UT	CNS 150 U/UT/UE	CNS 200 U/UT/UE	CNS 250 U/UT	CNS 300 U/UT/UE
a20	Appliance	Width	mm	370	445	445	590	590	740	890	1040
b01	Electrical cable entry										
i13	Wall mounting bracket	Hole spacing	mm	121	195	195	343	343	491	639	787

### 12.2 Data table

#### CNS 50-300 U

		CNS 50 U	CNS 75 U	CNS 100 U	CNS 150 U	CNS 200 U	CNS 250 U	CNS 300 U
		236276	236277	236278	236279	236280	236281	236282
<b>Electrical data</b>								
Connected load	kW	0.5	0.75	1.0	1.5	2.0	2.5	3.0
Power supply		1/N ~ 240 V 50 Hz	1/N ~ 240 V 50 Hz	1/N ~ 240 V 50 Hz	1/N ~ 240 V 50 Hz	1/N ~ 240 V 50 Hz	1/N ~ 240 V 50 Hz	1/N ~ 240 V 50 Hz
<b>Dimensions</b>								
Height	mm	450	450	450	450	450	450	450
Width	mm	370	445	445	590	740	890	1040
Depth	mm	100	100	100	100	100	100	100
<b>Weights</b>								
Weight	kg	3.3	4	4	5.2	6.3	7.7	8.9
<b>Versions</b>								
IP rating		IP24	IP24	IP24	IP24	IP24	IP24	IP24
Protection class		II	II	II	II	II	II	II
Colour		Alpine white	Alpine white	Alpine white	Alpine white	Alpine white	Alpine white	Alpine white

# INSTALLATION Specification

## CNS 50-300 UT

		CNS 50 UT	CNS 75 UT	CNS 100 UT	CNS 125 UT	CNS 150 UT	CNS 200 UT	CNS 250 UT	CNS 300 UT
		231547	231548	231549	231550	231551	231552	231553	231574
<b>Electrical data</b>									
Connected load	kW	0.5	0.75	1.0	1.25	1.5	2.0	2.5	3.0
Power supply		1/N ~ 240 V 50 Hz	1/N ~ 240 V 50 Hz	1/N ~ 240 V 50 Hz	1/N ~ 240 V 50 Hz	1/N ~ 240 V 50 Hz	1/N ~ 240 V 50 Hz	1/N ~ 240 V 50 Hz	1/N ~ 240 V 50 Hz
<b>Dimensions</b>									
Height	mm	450	450	450	450	450	450	450	450
Width	mm	370	445	445	590	590	740	890	1040
Depth	mm	100	100	100	100	100	100	100	100
<b>Weights</b>									
Weight	kg	3.3	4	4	5.2	5.2	6.3	7.7	8.9
<b>Versions</b>									
Version		24 h time switch	24 h time switch	24 h time switch	24 h time switch	24 h time switch	24 h time switch	24 h time switch	24 h time switch
IP rating		IP24	IP24	IP24	IP24	IP24	IP24	IP24	IP24
Protection class		II	II	II	II	II	II	II	II
Colour		Alpine white	Alpine white	Alpine white	Alpine white	Alpine white	Alpine white	Alpine white	Alpine white

## CNS 75-300 UE

		CNS 75 UE	CNS 100 UE	CNS 150 UE	CNS 200 UE	CNS 300 UE
		239296	236297	239298	236299	236300
<b>Electrical data</b>						
Connected load	kW	0.75	1.0	1.5	2.0	2.8
Power supply		1/N ~ 240 V	1/N ~ 240 V	1/N ~ 240 V	1/N ~ 240 V	1/N ~ 240 V
<b>Dimensions</b>						
Height	mm	450	450	450	450	450
Width	mm	445	445	590	740	1040
Depth	mm	100	100	100	100	100
<b>Weights</b>						
Weight	kg	4	4	5.2	6.3	8.9
<b>Versions</b>						
IP rating		IP24	IP24	IP24	IP24	IP24
Protection class		II	II	II	II	II
Colour		Alpine white	Alpine white	Alpine white	Alpine white	Alpine white

### **Guarantee**

The guarantee conditions of our German companies do not apply to appliances acquired outside of Germany. In countries where our subsidiaries sell our products a guarantee can only be issued by those subsidiaries. Such guarantee is only granted if the subsidiary has issued its own terms of guarantee. No other guarantee will be granted.

We shall not provide any guarantee for appliances acquired in countries where we have no subsidiary to sell our products. This will not affect warranties issued by any importers.

### **Environment and recycling**

We would ask you to help protect the environment. After use, dispose of the various materials in accordance with national regulations.

## Deutschland

STIEBEL ELTRON GmbH & Co. KG  
Dr.-Stiebel-Straße 33 | 37603 Holzminden  
Tel. 05531 702-0 | Fax 05531 702-480  
info@stiebel-eltron.de  
www.stiebel-eltron.de

## Verkauf

Tel. 05531 702-110 | Fax 05531 702-95108 | info-center@stiebel-eltron.de

## Kundendienst

Tel. 05531 702-111 | Fax 05531 702-95890 | kundendienst@stiebel-eltron.de

## Ersatzteilverkauf

Tel. 05531 702-120 | Fax 05531 702-95335 | ersatzteile@stiebel-eltron.de

## Australia

STIEBEL ELTRON Australia Pty. Ltd.  
6 Prohasky Street | Port Melbourne VIC 3207  
Tel. 03 9645-1833 | Fax 03 9645-4366  
info@stiebel.com.au  
www.stiebel.com.au

## Austria

STIEBEL ELTRON Ges.m.b.H.  
Gewerbegebiet Neubau-Nord  
Margaritenstraße 4 A | 4063 Hörsching  
Tel. 07221 74600-0 | Fax 07221 74600-42  
info@stiebel-eltron.at  
www.stiebel-eltron.at

## Belgium

STIEBEL ELTRON bvba/sprl  
't Hofveld 6 - D1 | 1702 Groot-Bijgaarden  
Tel. 02 42322-22 | Fax 02 42322-12  
info@stiebel-eltron.be  
www.stiebel-eltron.be

## China

STIEBEL ELTRON (Guangzhou) Electric  
Appliance Co., Ltd.  
Rm 102, F1, Yingbin-Yihao Mansion, No. 1  
Yingbin Road  
Panyu District | 511431 Guangzhou  
Tel. 020 39162209 | Fax 020 39162203  
info@stiebeleltron.cn  
www.stiebeleltron.cn

## Czech Republic

STIEBEL ELTRON spol. s r.o.  
K Hájm 946 | 155 00 Praha 5 - Stodůlky  
Tel. 251116-111 | Fax 235512-122  
info@stiebel-eltron.cz  
www.stiebel-eltron.cz

## Finland

STIEBEL ELTRON OY  
Kapinakuja 1 | 04600 Mäntsälä  
Tel. 020 720-9988  
info@stiebel-eltron.fi  
www.stiebel-eltron.fi

## France

STIEBEL ELTRON SAS  
7-9, rue des Selliers  
B.P 85107 | 57073 Metz-Cédex 3  
Tel. 0387 7438-88 | Fax 0387 7468-26  
info@stiebel-eltron.fr  
www.stiebel-eltron.fr

## Hungary

STIEBEL ELTRON Kft.  
Gyár u. 2 | 2040 Budaörs  
Tel. 01 250-6055 | Fax 01 368-8097  
info@stiebel-eltron.hu  
www.stiebel-eltron.hu

## Japan

NIHON STIEBEL Co. Ltd.  
Kowa Kawasaki Nishiguchi Building 8F  
66-2 Horikawa-Cho  
Saiwai-Ku | 212-0013 Kawasaki  
Tel. 044 540-3200 | Fax 044 540-3210  
info@nihonstiebel.co.jp  
www.nihonstiebel.co.jp

## Netherlands

STIEBEL ELTRON Nederland B.V.  
Daviottenweg 36 | 5222 BH 's-Hertogenbosch  
Tel. 073 623-0000 | Fax 073 623-1141  
info@stiebel-eltron.nl  
www.stiebel-eltron.nl

## Poland

STIEBEL ELTRON Polska Sp. z O.O.  
ul. Działkowa 2 | 02-234 Warszawa  
Tel. 022 60920-30 | Fax 022 60920-29  
biuro@stiebel-eltron.pl  
www.stiebel-eltron.pl

## Russia

STIEBEL ELTRON LLC RUSSIA  
Urzhumskaya street 4,  
building 2 | 129343 Moscow  
Tel. 0495 7753889 | Fax 0495 7753887  
info@stiebel-eltron.ru  
www.stiebel-eltron.ru

## Slovakia

TATRAMAT - ohrievače vody s.r.o.  
Hlavná 1 | 058 01 Poprad  
Tel. 052 7127-125 | Fax 052 7127-148  
info@stiebel-eltron.sk  
www.stiebel-eltron.sk

## Switzerland

STIEBEL ELTRON AG  
Industrie West  
Gass 8 | 5242 Lupfig  
Tel. 056 4640-500 | Fax 056 4640-501  
info@stiebel-eltron.ch  
www.stiebel-eltron.ch

## Thailand

STIEBEL ELTRON Asia Ltd.  
469 Moo 2 Tambol Klong-Jik  
Amphur Bangpa-In | 13160 Ayutthaya  
Tel. 035 220088 | Fax 035 221188  
info@stiebeleltronasia.com  
www.stiebeleltronasia.com

## United Kingdom and Ireland

STIEBEL ELTRON UK Ltd.  
Unit 12 Stadium Court  
Stadium Road | CH62 3RP Bromborough  
Tel. 0151 346-2300 | Fax 0151 334-2913  
info@stiebel-eltron.co.uk  
www.stiebel-eltron.co.uk

## United States of America

STIEBEL ELTRON, Inc.  
17 West Street | 01088 West Hatfield MA  
Tel. 0413 247-3380 | Fax 0413 247-3369  
info@stiebel-eltron-usa.com  
www.stiebel-eltron-usa.com

**STIEBEL ELTRON**



Irrtum und technische Änderungen vorbehalten! | Subject to errors and technical changes! | Sous réserve d'erreurs et de modifications techniques! | Onder voorbehoud van vergissingen en technische wijzigingen! | Salvo error o modificación técnica! | Excepto erro ou alteração técnica | Zastrzeżone zmiany techniczne i ewentualne błędy | Omyly a technické změny jsou vyhrazeny! | A muszaki változtatások és tévedések jogát fenntartjuk! | Отсутствие ошибок не гарантируется. Возможны технические изменения. | Chyby a technické zmeny sú vyhradené! | Stand 9147